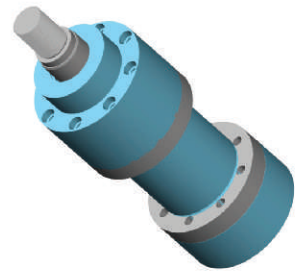
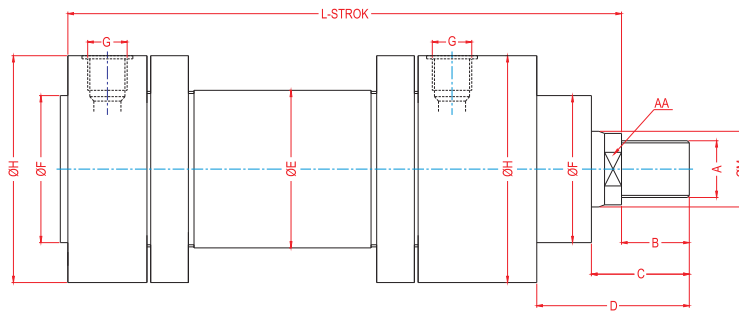
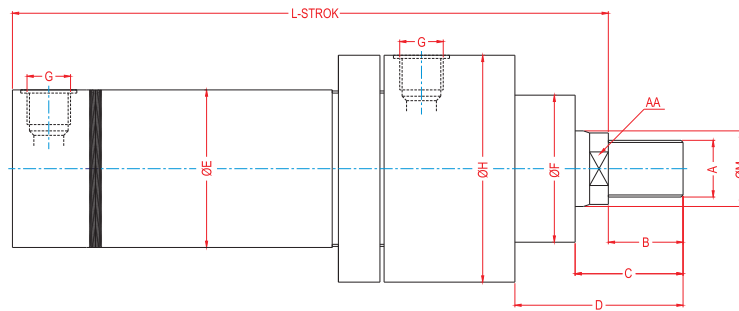


HC01-0 /.... STANDART HİDROLİK SİLİNDİRLER (Standart hydraulic cylinders)
HC02-0 /.... ISO 6020/1 CETOP R58 H

HC01-0/....



HC02-0/....



PİSTON	Ø32	Ø40	Ø50	Ø63	Ø80	Ø100	Ø125	Ø140	Ø160	Ø180	Ø200
M	18 / 22	22 / 28	28 / 36	36 / 45	45 / 56	56 / 70	70 / 80	80 / 90	90 / 100	100 / 110	110 / 120
A	M14x1.5	M16x1.5	M20x1.5	M27x2.0	M33x2.0	M42x2.0	M48x2.0	M56x2.0	M64x3.0	M72x3.0	M80x3.0
	M16x1.5	M20x1.5	M27x2.0	M33x2.0	M42x2.0	M48x2.0	M56x2.0	M64x3.0	M72x3.0	M80x3.0	M85x3.0
AA	14 / 17	17 / 22	22 / 30	30 / 36	36 / 45	45 / 60	60 / 68	68 / 75	75 / 85	85 / 95	95 / 105
B	18 / 22	22 / 28	28 / 36	36 / 45	45 / 56	56 / 63	63 / 75	75 / 85	85 / 90	90 / 95	95 / 100
C	31/35	35/39	42/50	52/61	63/74	76/94	86/98	100/110	110/115	120/125	125/130
D	50	54	66	81	99	113	123	140	151	165	170
E	40	50	60	75	95	115	150	165	190	210	245
F	40	50	60	70	85	106	132	145	160	185	200
G	R1/4"	R3/8"	R1/2"	R1/2"	R1/2"	R3/4"	R3/4"	R3/4"	R1"	R1"	R1"
H	68	78	98	108	135	158	186	210	240	270	305
L	170	190	205	224	250	300	328	360	370	425	450
L1	165	194	212	237	259	300	313	320	350	400	410